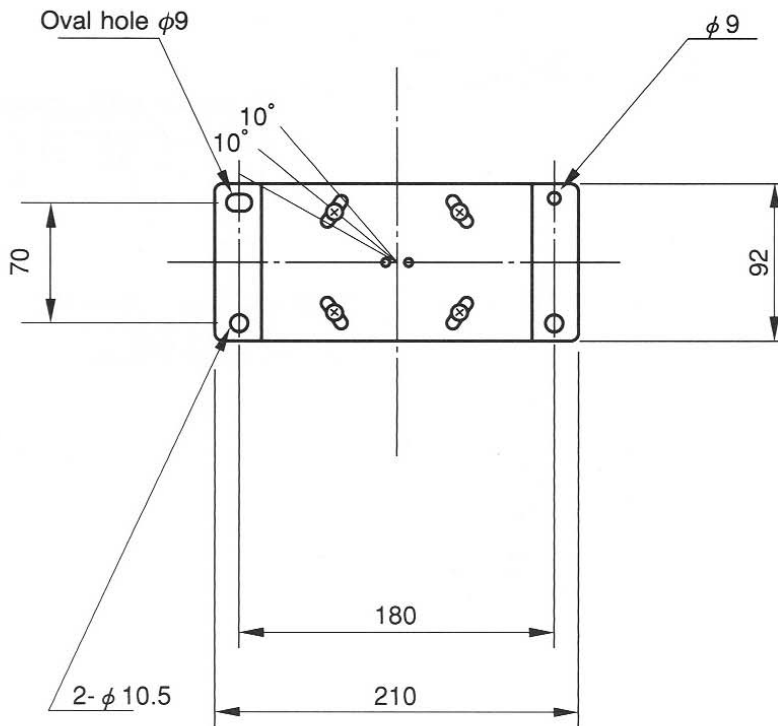


# DIMENSIONS

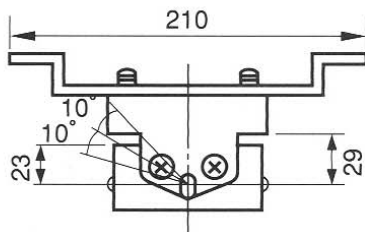
## Model AN-TK202

■ For dimensions including the mounting adapter and projector, see the owner's manual for each type of mounting adapter.

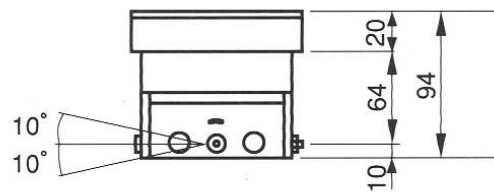
### Top View



### Front View



### Side view



(Unit: mm)